



# 193 SP P

The ultimate pump-fed counter top model for high volume production with a self-pasteurizing system.



**Performance and Quality** The Carpigiani reputation for the smoothest, creamiest soft serve in the market is proven with this powerful, customizable model for two flavors and twist flavor. Spigot flow allows for adjustable product flow. Hard-O-Tronic consistency control technology Exclusive patented system that regulates refrigeration by measuring product viscosity to maintain consistent quality control. Product is fed from rear of cylinder eliminating need to prime and allowing more controllable overrun of up to 80% on pump models.



**Convenience** With self-pasteurizing, no cleaning is required for up to 14 days. Hopper agitator prevents mixture separation and maintains consistent refrigerated temperature.



**Savings** Lowest power consumption and the least number of components to clean compared to similar models in the industry. Unique cylinder construction delivers better results using less electricity.



**Safety** TEOREMA guarantees facilitated assistance by providing on-line monitoring and diagnosis on a tablet, phone or PC wherever you are.

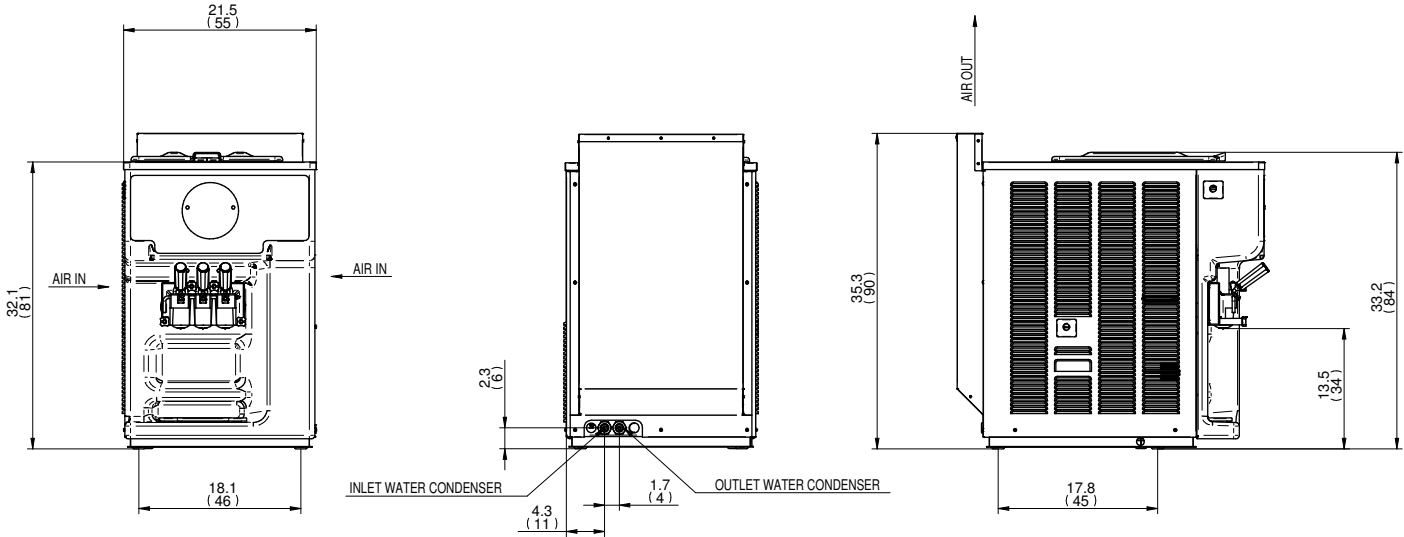


**Hygiene** With self-pasteurizing function, no cleaning is required for up to 14 days. Standby mode maintains safe product temperatures in the freezing cylinder and mix hopper utilizing minimal energy during long no-use periods. Audible Signal alerts when refill is needed.



\*request the kits from your distributor to maintain your machine hygienically clean.

[carpigiani.com/us](http://carpigiani.com/us)



	WATER		AIR	
	lbs.	kgs.	lbs.	kgs.
<b>Weights</b>				
Net	463	210	463	210
Crated	509	231	540	245
	cu. ft.	cu. m.	cu. ft.	cu. m.
Volume	30.37	0.86	29.31	0.83
<b>Dimensions</b>	in.	cm.	in.	cm.
Width	21.5	55	21.5	55
Depth	34.4	88	34.4	88
Height	35.3	90	35.3	90
<b>Electrical</b>	Maximum Fuse Size	Minimum Circuit Ampacity	Poles (P) Wires (W)	
208-230/60/1 Air	50A	40A	1P, 1W	
208-230/60/3 Air	30A	30A	3P, 3W	

## Specifications

### Electrical

A dedicated electrical connection is required. Manufactured to be permanently connected. See the Electrical chart for the proper electrical requirements. Consult your local Carpigiani distributor for cord & receptacle specifications as local codes allow.

### Beater Motor

1,2 HP + 1,2 HP

### Refrigeration System

R404A

### Water Cooled

Water inlets and drain connections in the rear 1/2" MPT

### Air Cooled \*

Minimum clearance: 3" (8 cm) on both side panels and 0" (0 cm) from the rear panel for proper air circulation.

### Hopper Capacity

13 quarts (12 liters)

All specifications mentioned must be considered approximate; Carpigiani reserves the right to modify, without notice, all parts deemed necessary. This unit may be manufactured in other electrical characteristics and may have additional regulatory agency approvals, please consult the local Carpigiani Distributor. Check name plate for exact electrical data. \* Room temperature 68 °F (20 °C).

### Bidding Specs

Electrical Volt \_\_\_\_\_ Hz \_\_\_\_\_ Ph \_\_\_\_\_ Neutral  Yes  No Cooling  Air  Water

Options \_\_\_\_\_



738 Gallimore Dairy Road, Suite 113  
High Point, NC - 27265  
Toll free (800) 648 4389



Dealer

www.bipiuci.it | printed 06/2021

an Ali Group Company



The Spirit of Excellence